

Joseph Lstiburek, Ph.D., P.Eng, ASHRAE Fellow

Building Science

Ventilation

www.buildingscience.com

Build Tight - Ventilate Right

Building Science Corporation

Joseph Lstiburek 2

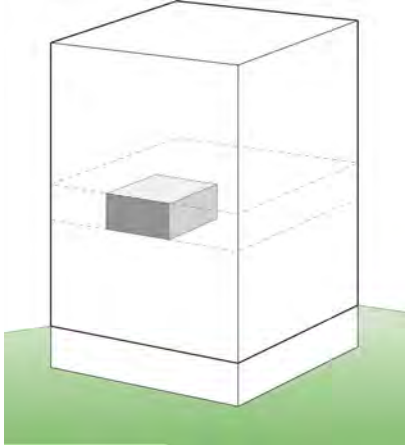
Build Tight - Ventilate Right

How Tight?

What's Right?

Building Science Corporation

Joseph Lstiburek 3



Building Science Corporation

Joseph Lstiburek 4

Air Barrier Metrics

| | |
|-----------|------------------------------------|
| Material | 0.02 l/(s-m ²) @ 75 Pa |
| Assembly | 0.20 l/(s-m ²) @ 75 Pa |
| Enclosure | 2.00 l/(s-m ²) @ 75 Pa |
| | 0.35 cfm/ft ² @ 50 Pa |
| | 0.25 cfm/ft ² @ 50 Pa |
| | 0.15 cfm/ft ² @ 50 Pa |

Building Science Corporation Joseph Lstiburek 5

| | |
|------------------------------|------------|
| Getting rid of big holes | 3 ach@50 |
| Getting rid of smaller holes | 1.5 ach@50 |
| Getting German | 0.6 ach@50 |

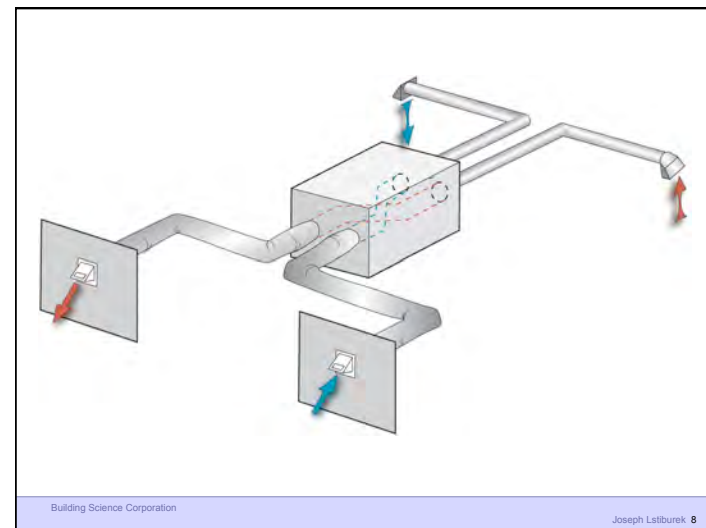
Building Science Corporation Joseph Lstiburek 6

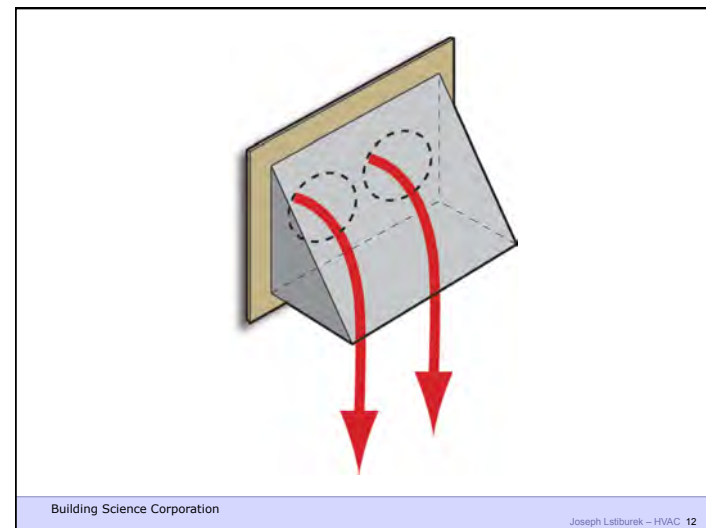
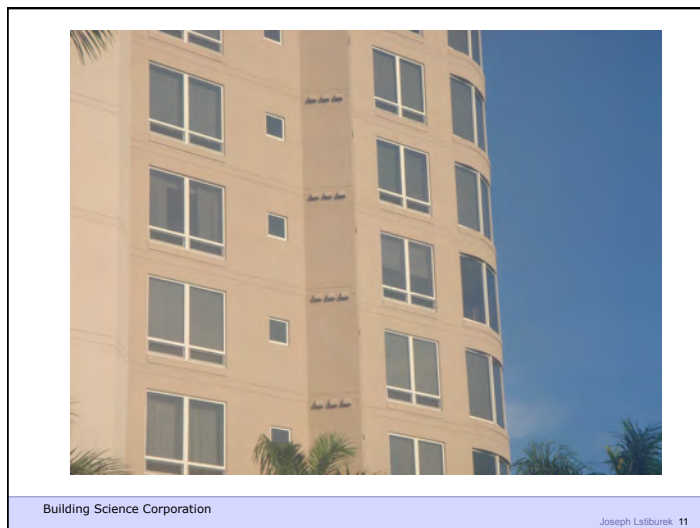
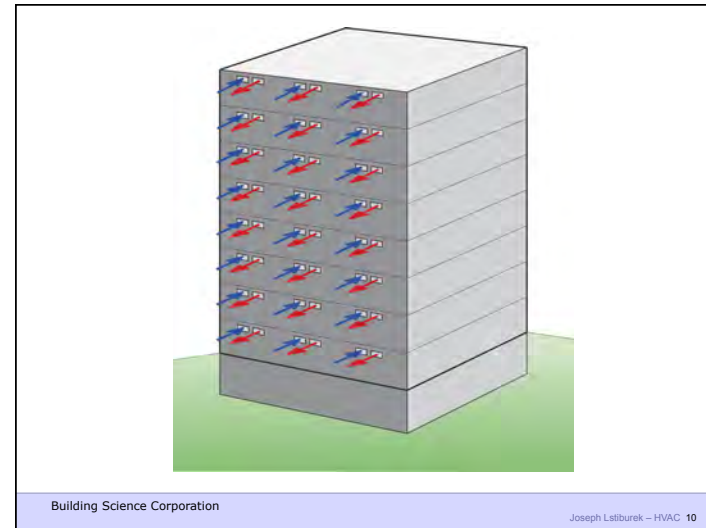
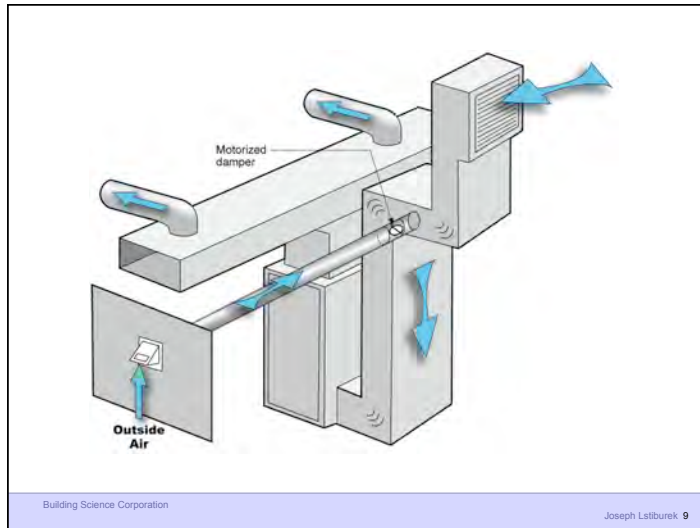
As Tight as Possible - with -
Balanced Ventilation
Distribution

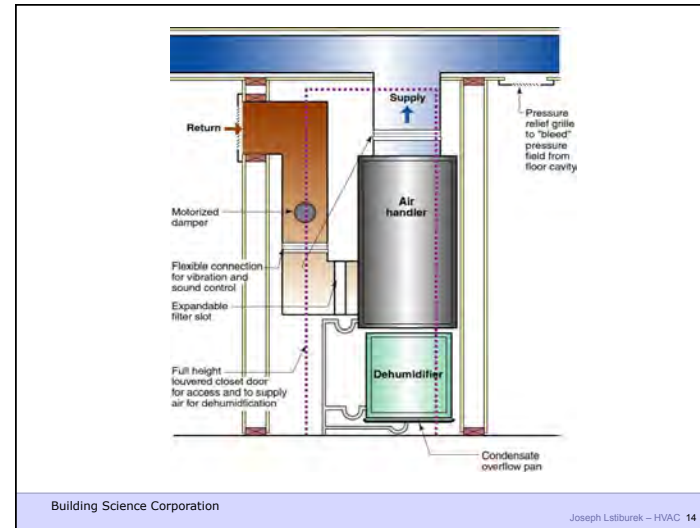
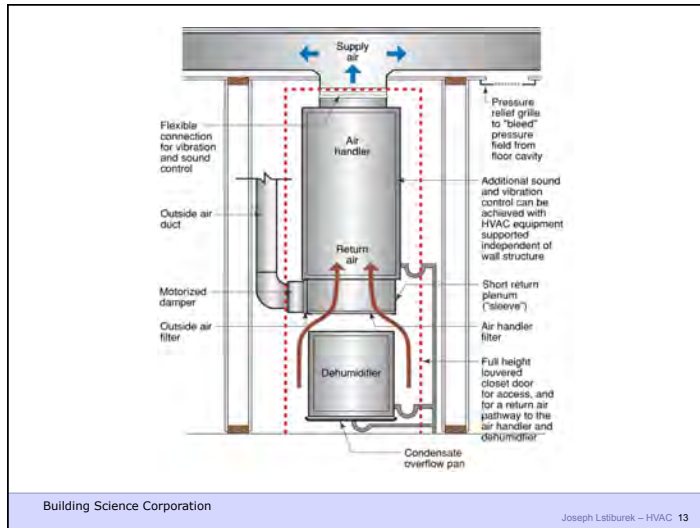
Source Control - Spot exhaust ventilation
Filtration
Material selection

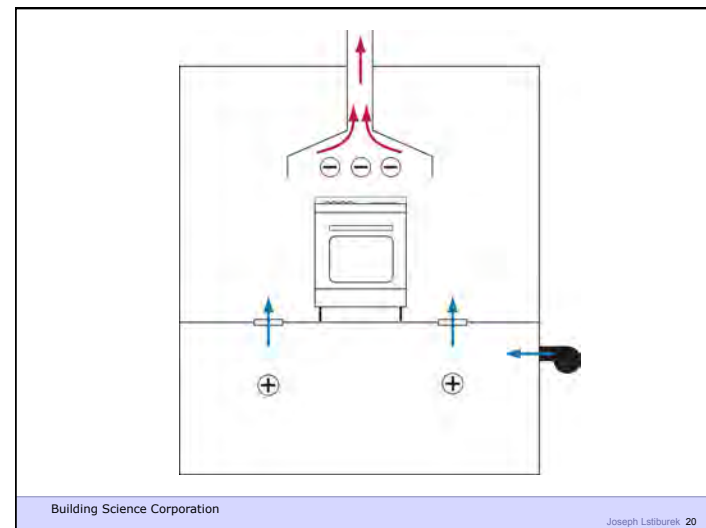
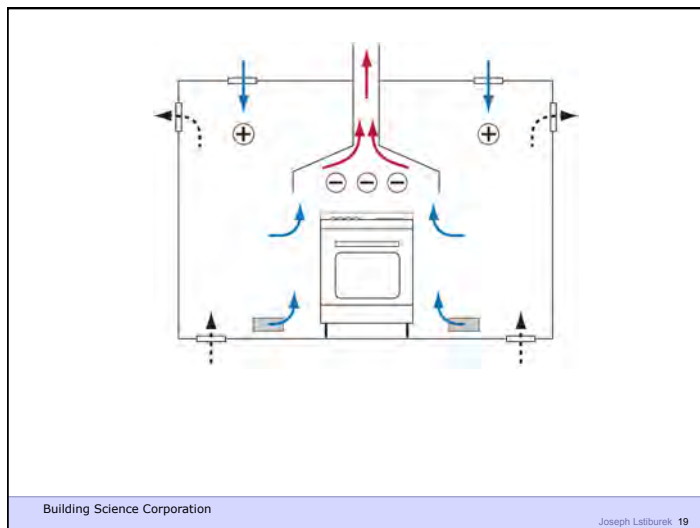
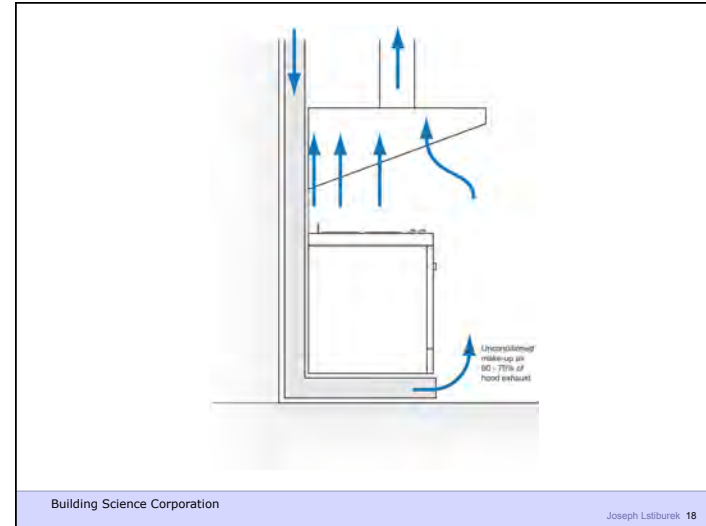
Energy Recovery

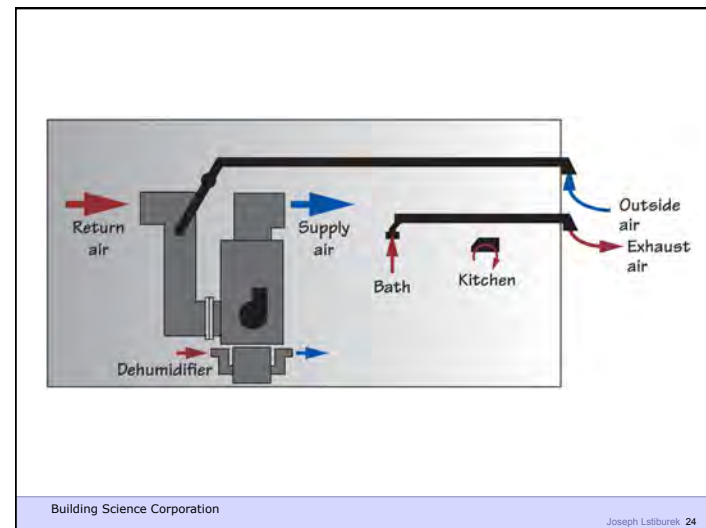
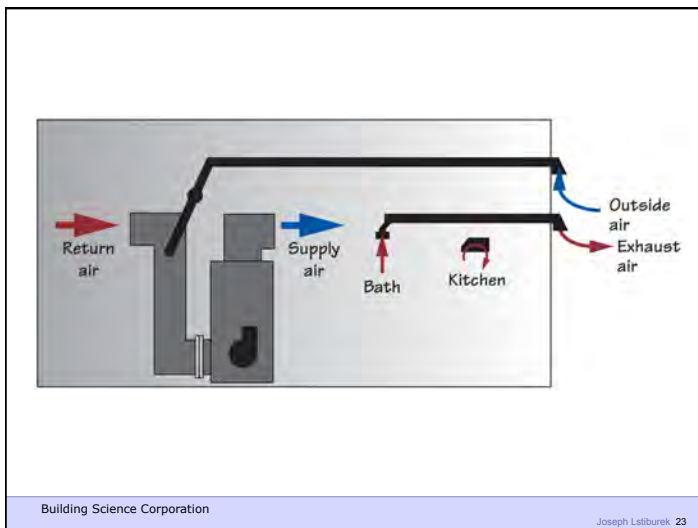
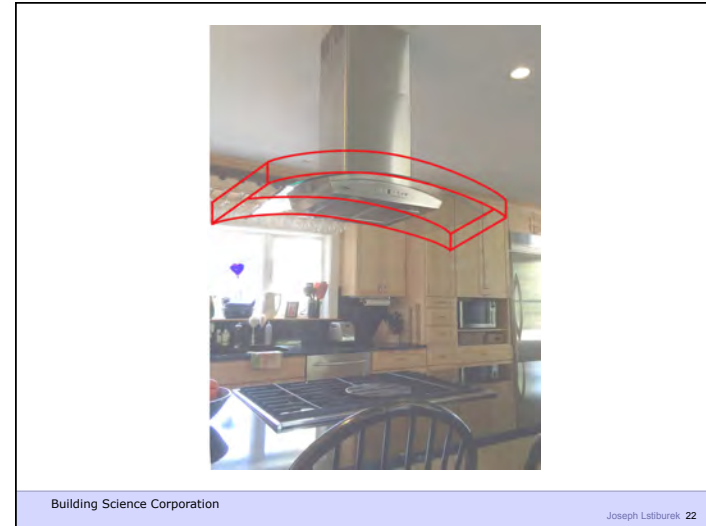
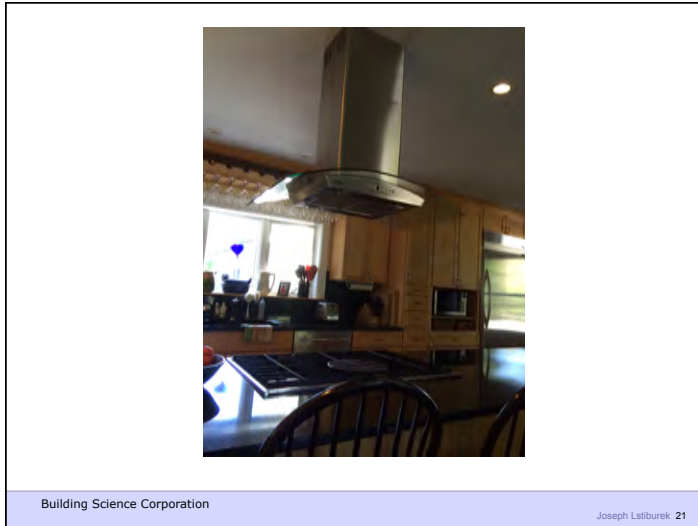
Building Science Corporation Joseph Lstiburek 7

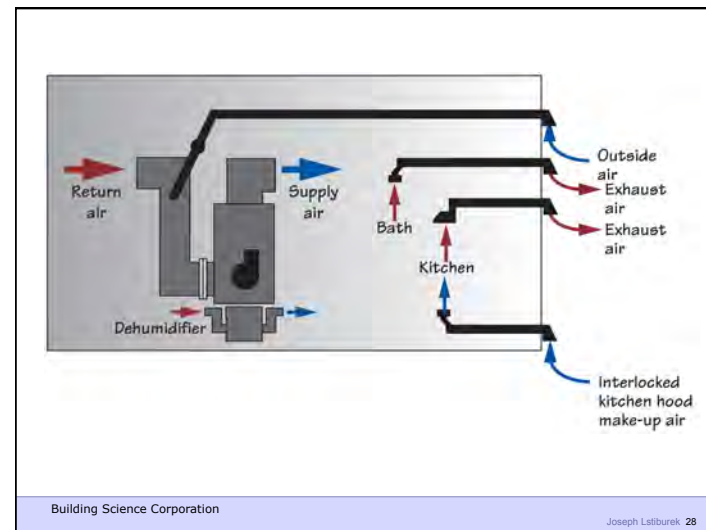
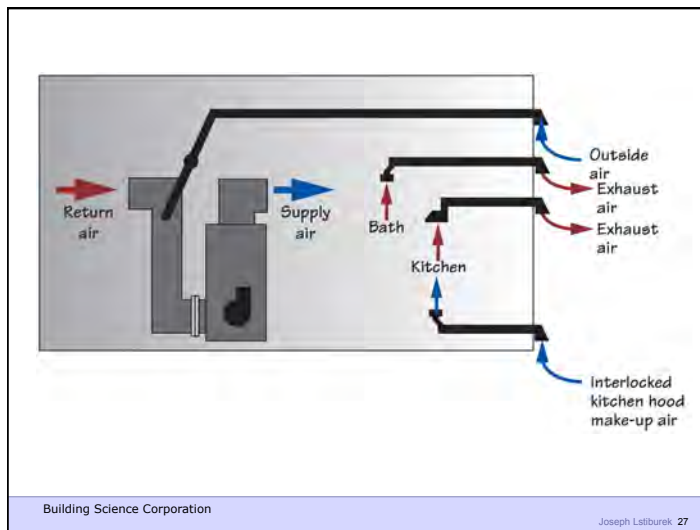
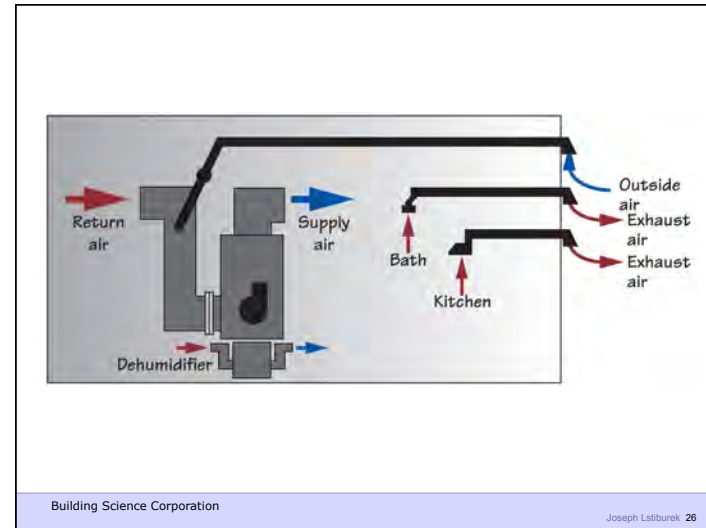
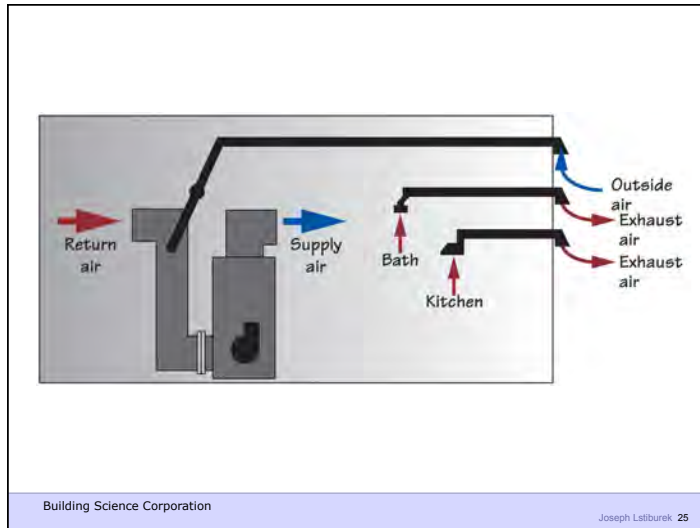


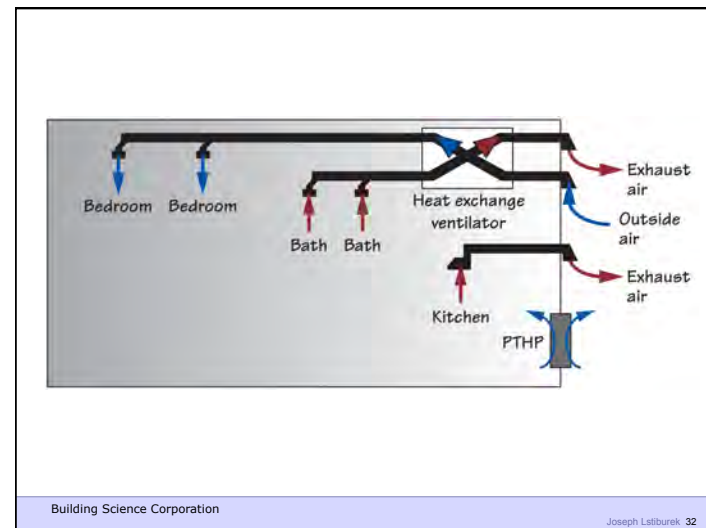
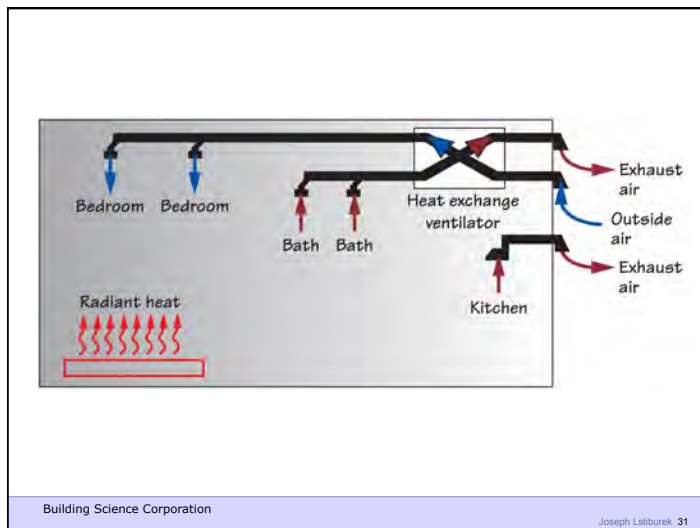
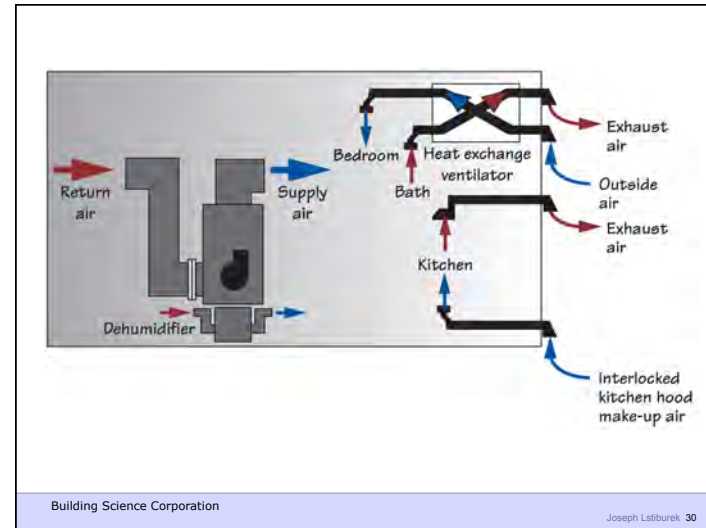
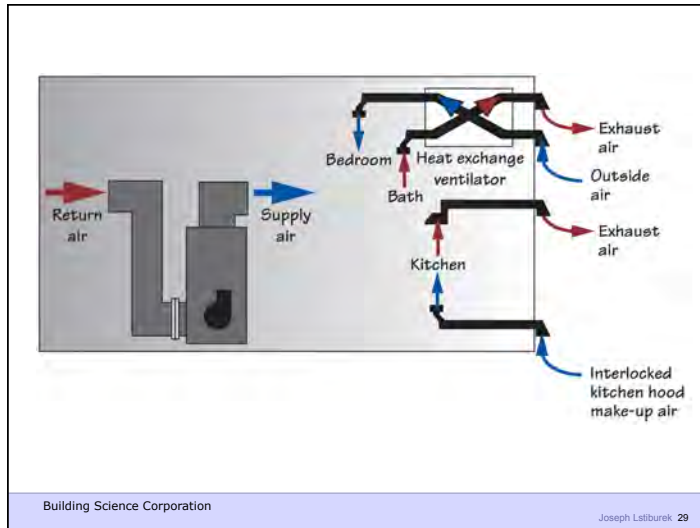


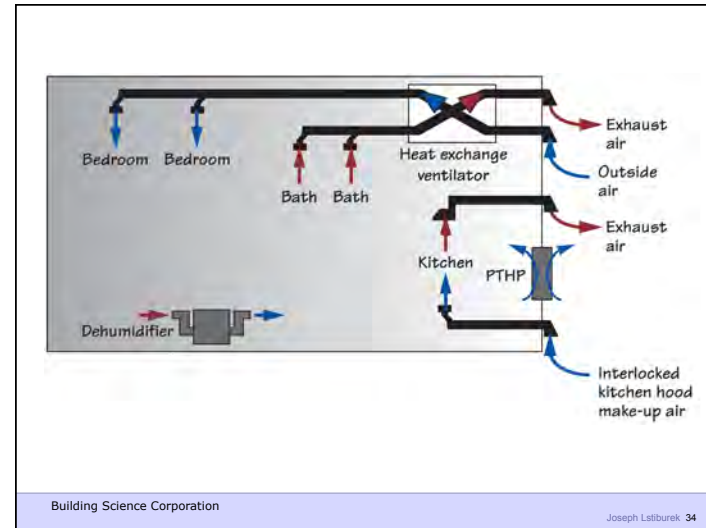
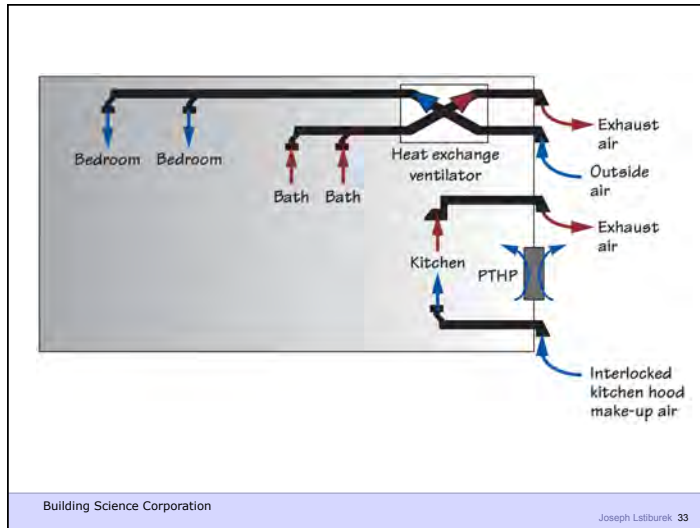


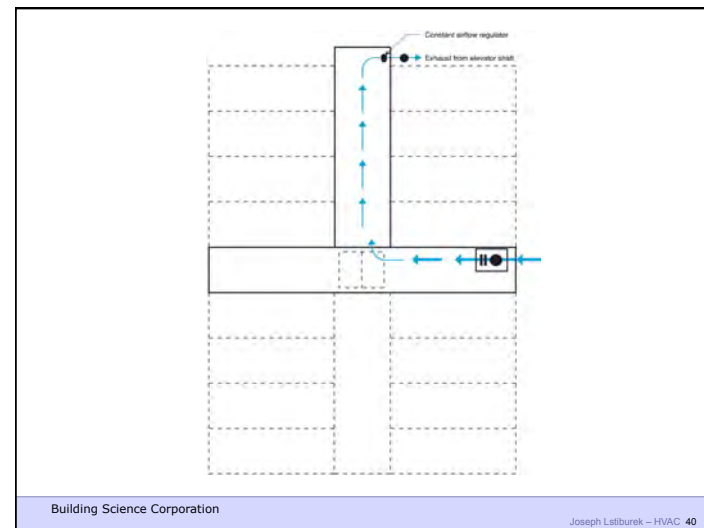
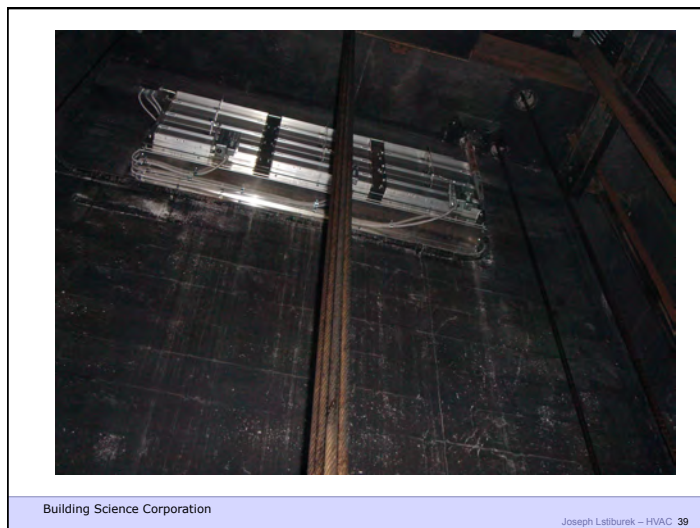
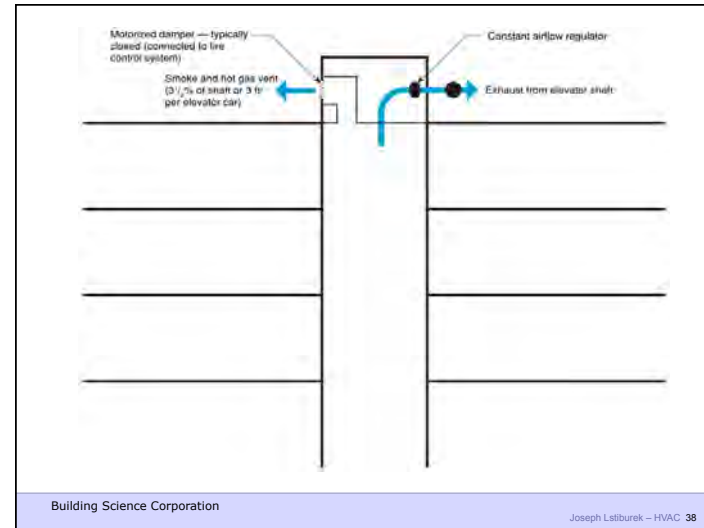
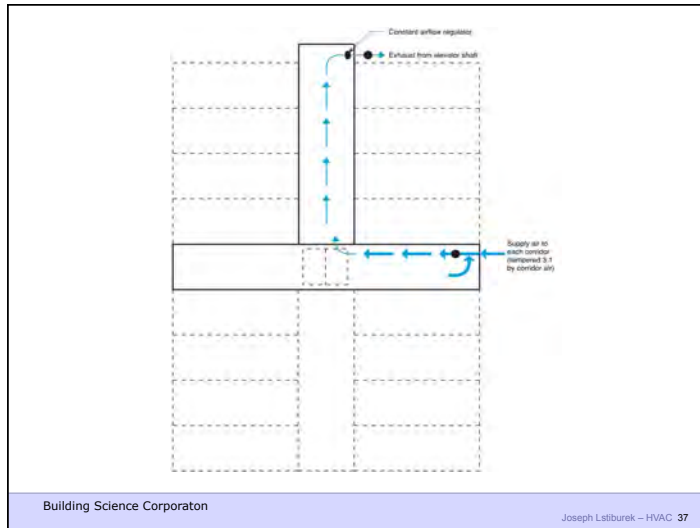








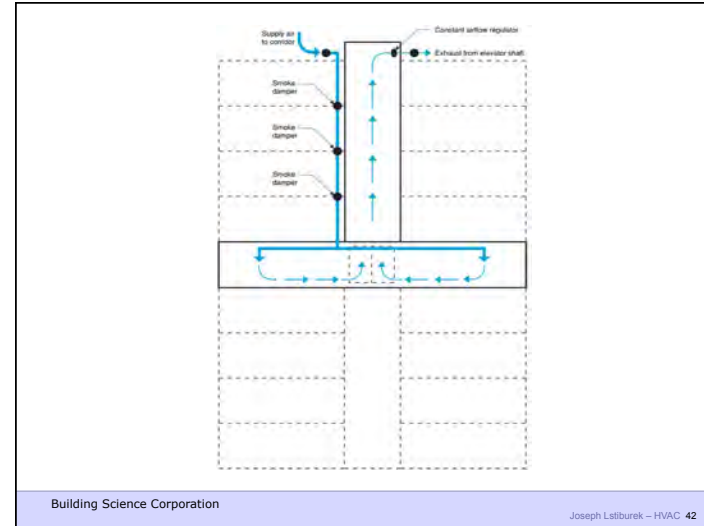






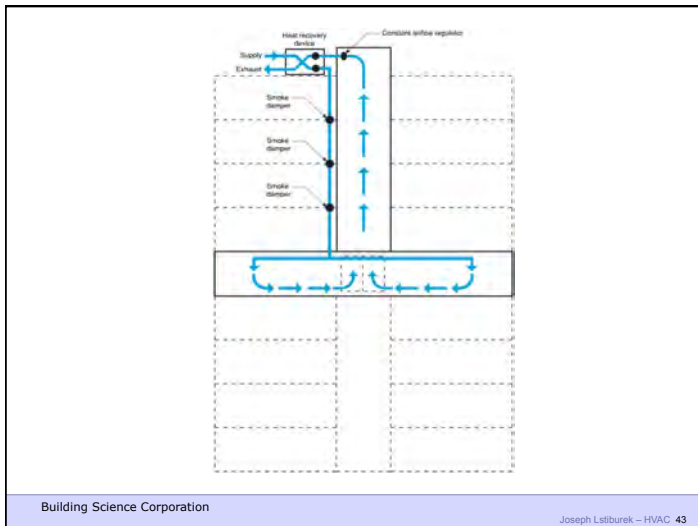
Building Science Corporation

Joseph Lstiburek 41



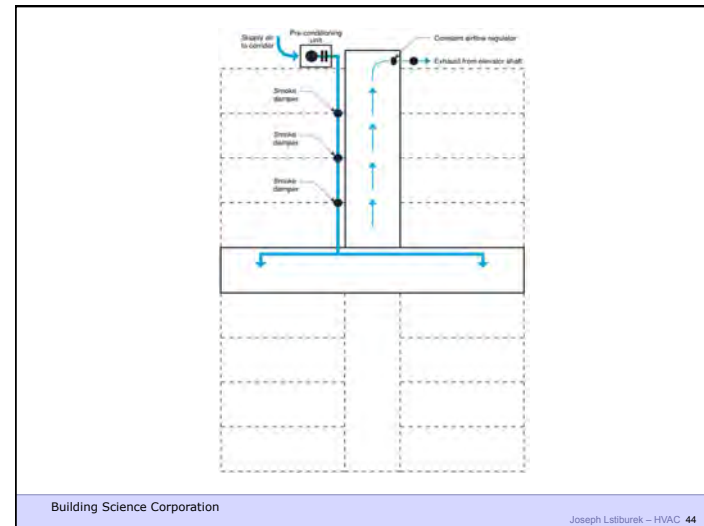
Building Science Corporation

Joseph Lstiburek - HVAC 42



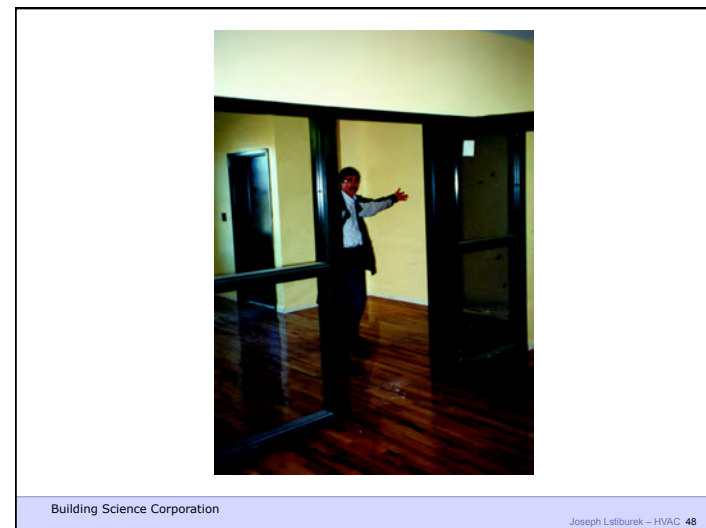
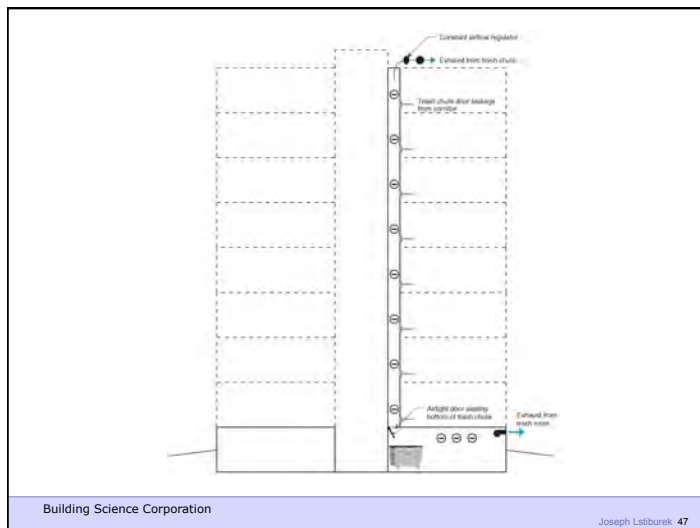
Building Science Corporation

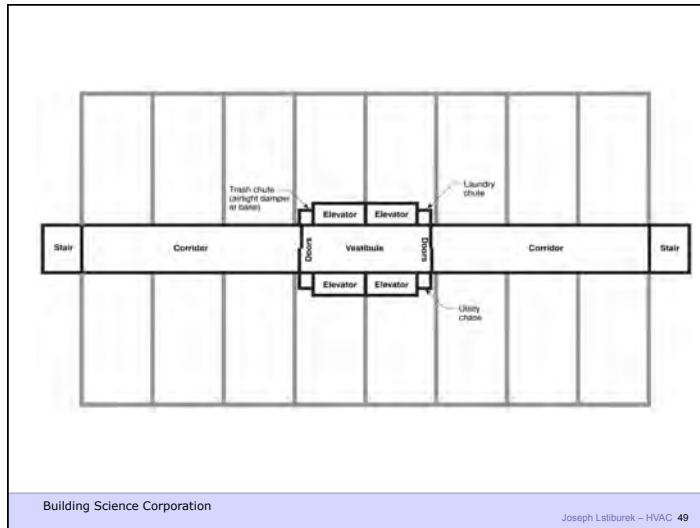
Joseph Lstiburek - HVAC 43



Building Science Corporation

Joseph Lstiburek - HVAC 44





Building Science Corporation

Joseph Lstiburek – HVAC 49