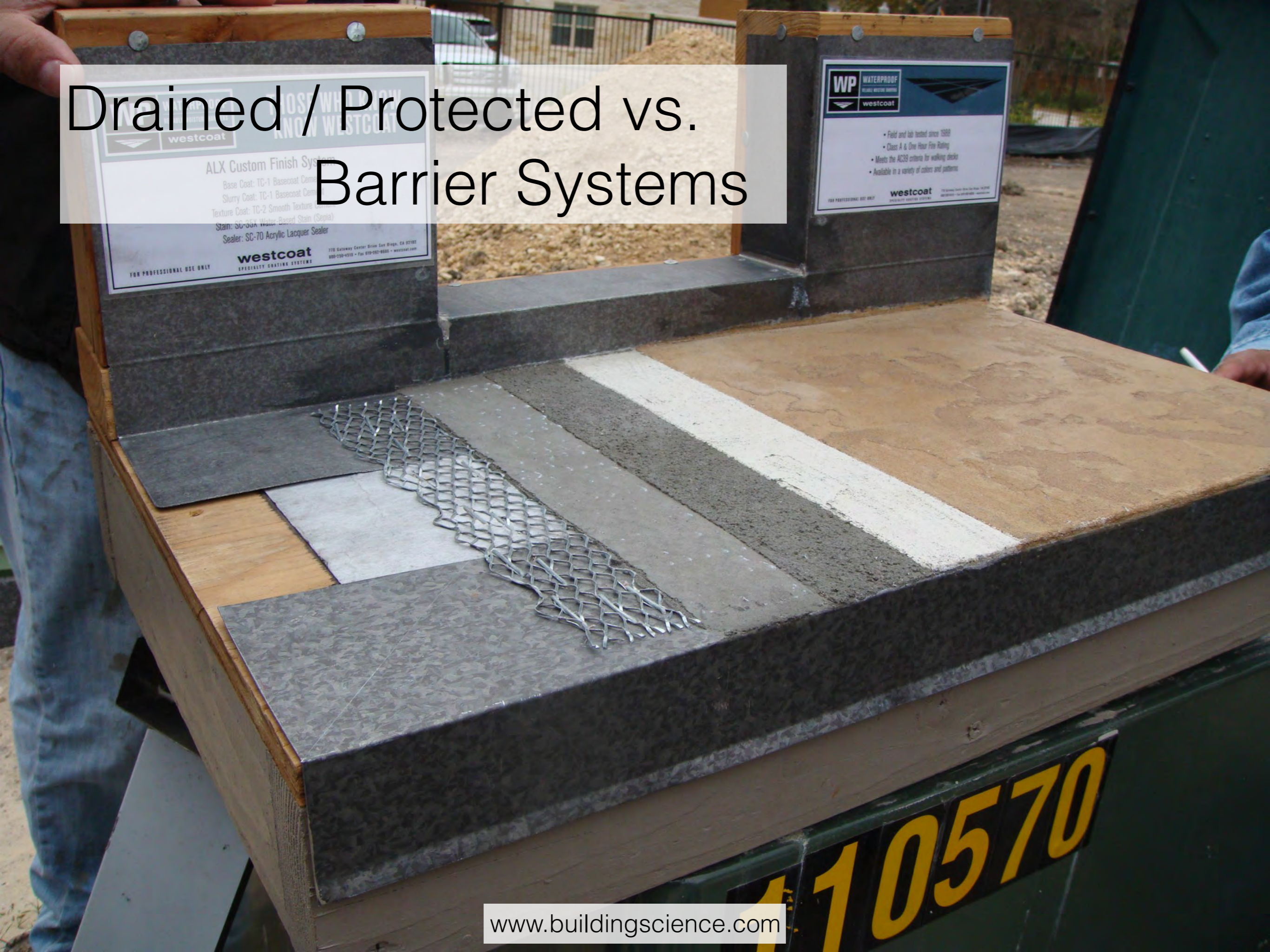


Balcony and Deck Waterproofing



Drained / Protected vs. Barrier Systems



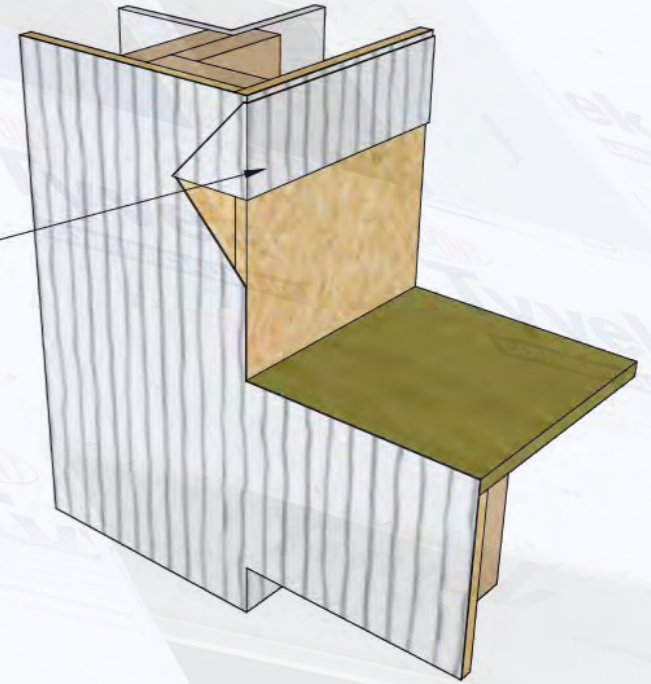
110570

Drained /
Protected

inset balcony

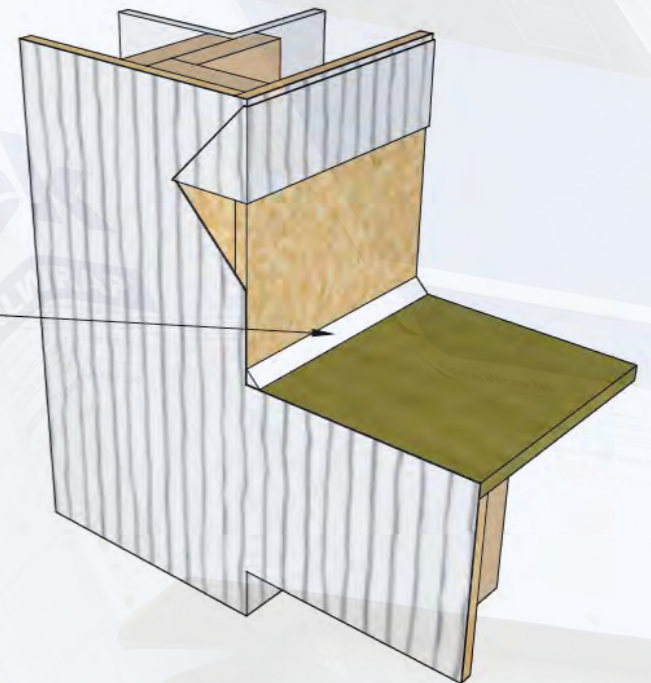
Step 1

cut and fold up
sheet WRB at balcony edge



Step 2

apply a bead of sealant
at deck to wall interface

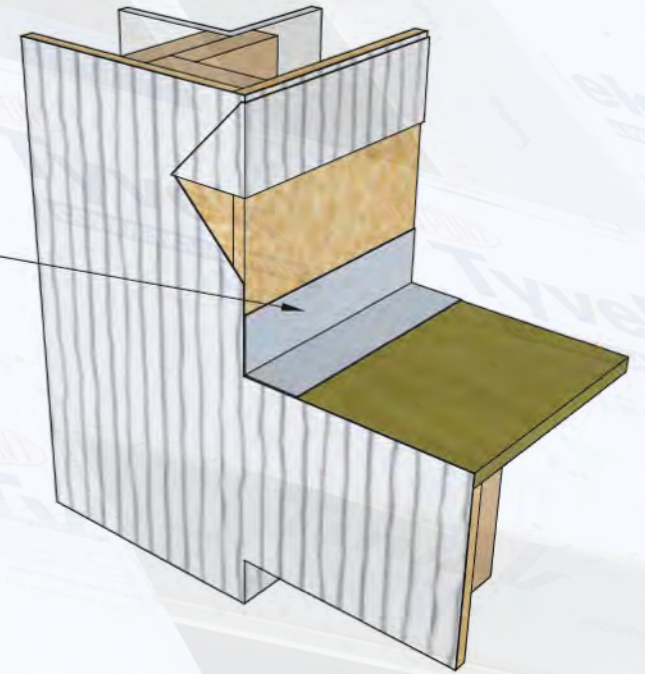


Drained /
Protected

inset balcony

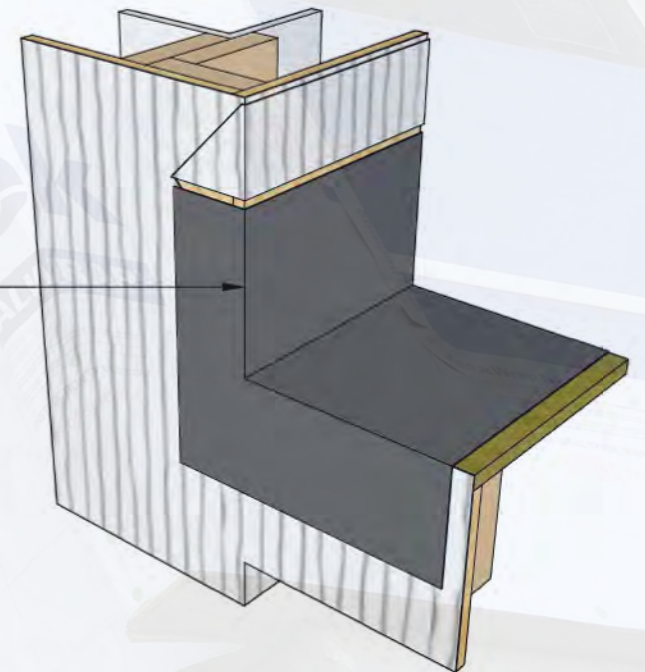
Step 3 (Optional)

install a light gauge metal angle
at deck to wall interface



Step 4

install deck waterproof membrane
following the manufacturers
recommendations

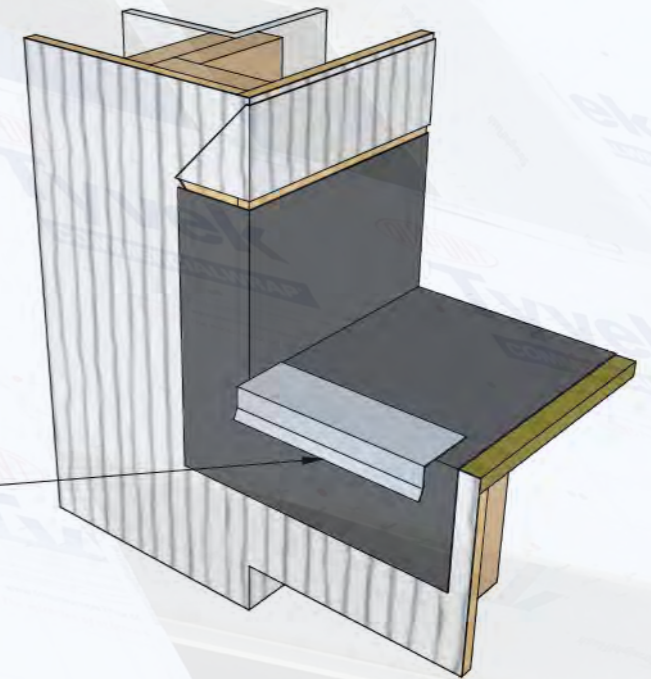


Drained /
Protected

inset balcony

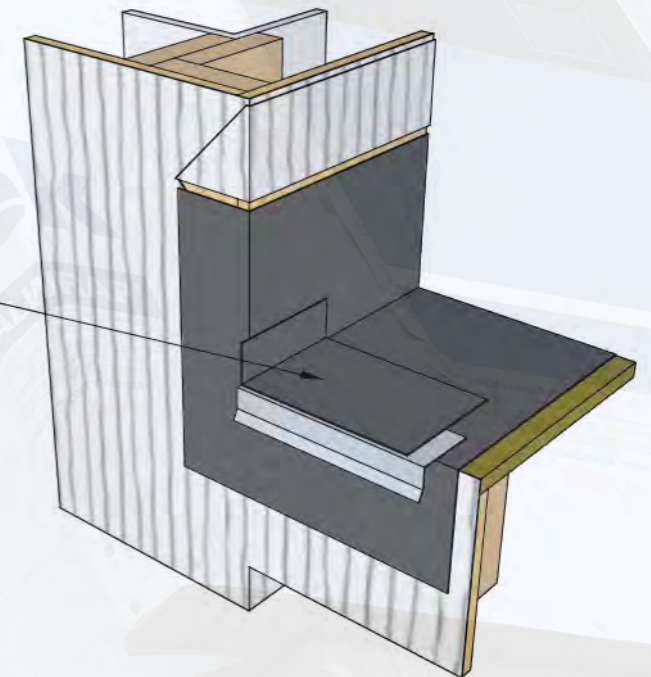
Step 5

metal edge angle spaced out
over the face of the trim or
cladding below



Step 6

strip in the metal edge flashing
with a strip of compatible
self adhered membrane flashing

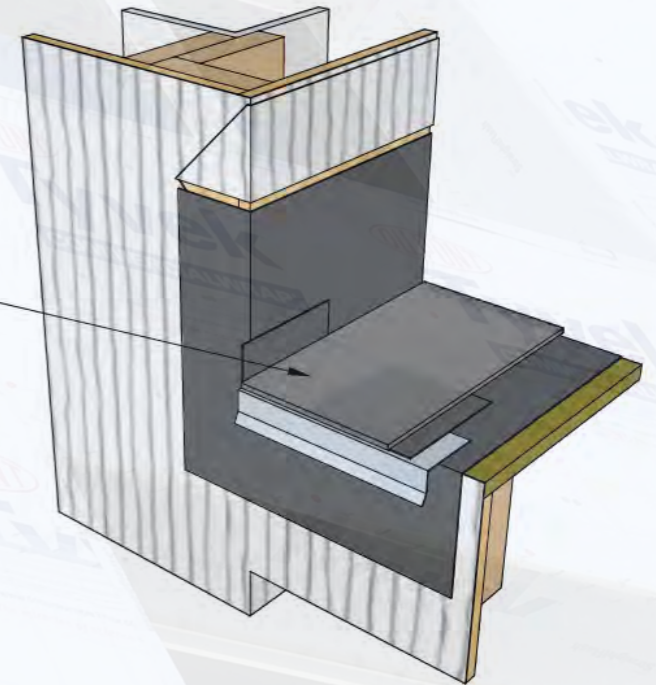


Drained /
Protected

inset balcony

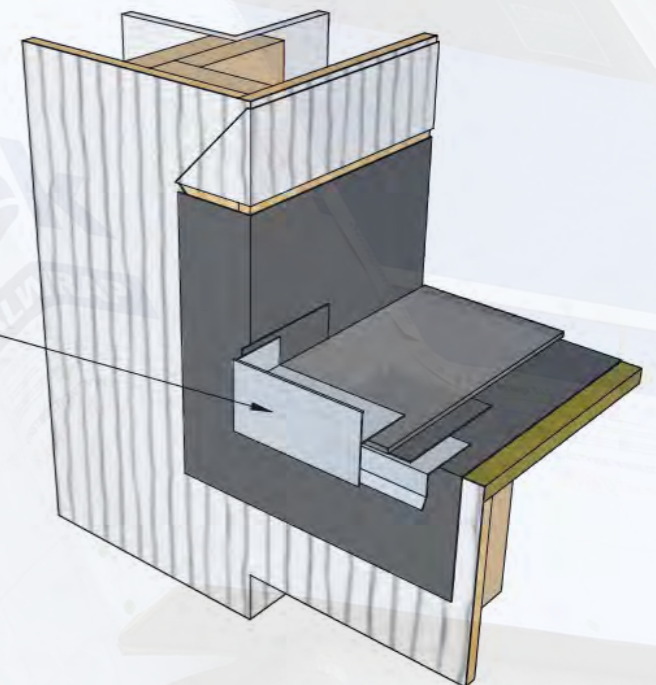
Step 7

drainage mat (compatible with
deck waterproof membrane)



Step 8

metal T-bar concrete stop
installed over drainage mat.
Shim as required at attachment
locations



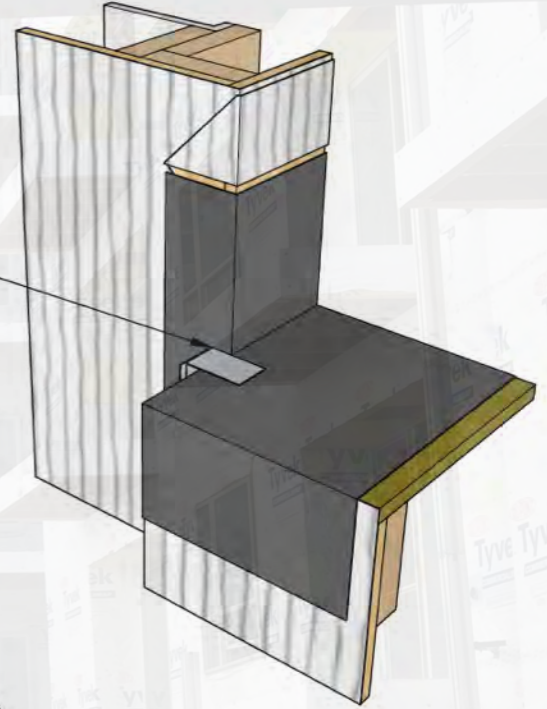
Drained / Protected

proud

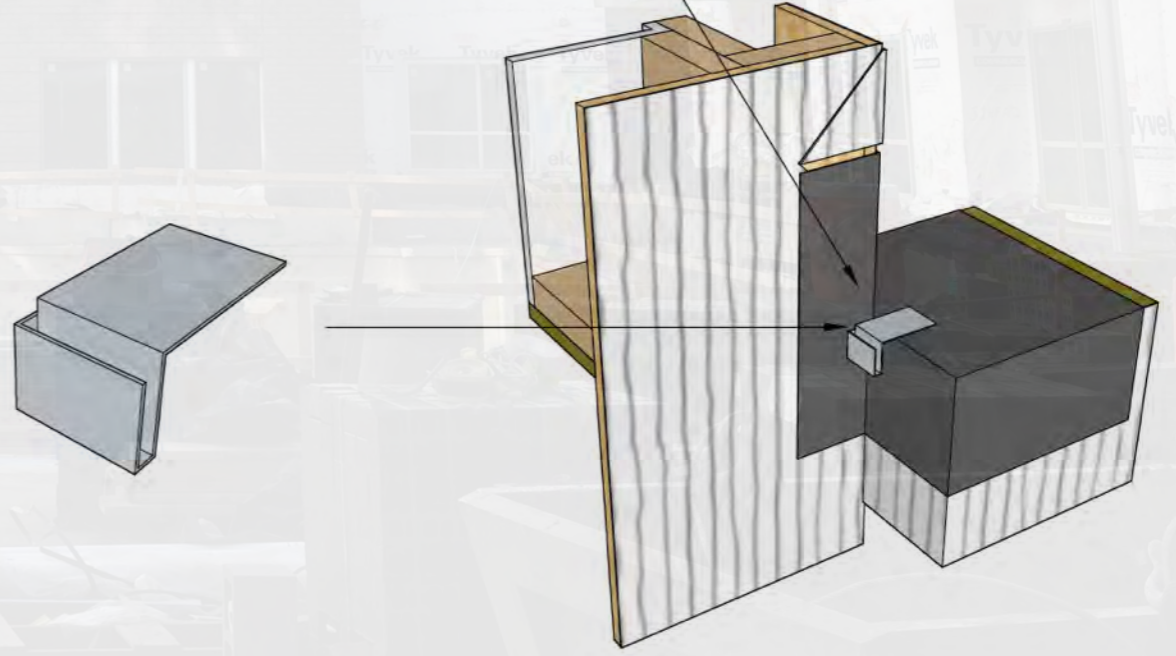


Step 5

install a corner diverter gutter spaced out over the face of the balcony edge the thickness of the trim or cladding below. The gutter will direct water from the deck out from behind the adjacent wall cladding



Step 5 (reverse view)



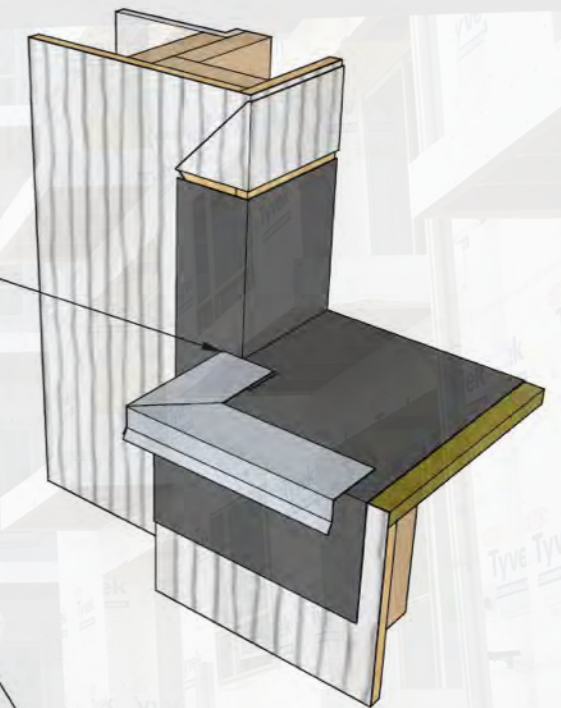
Drained / Protected

proud

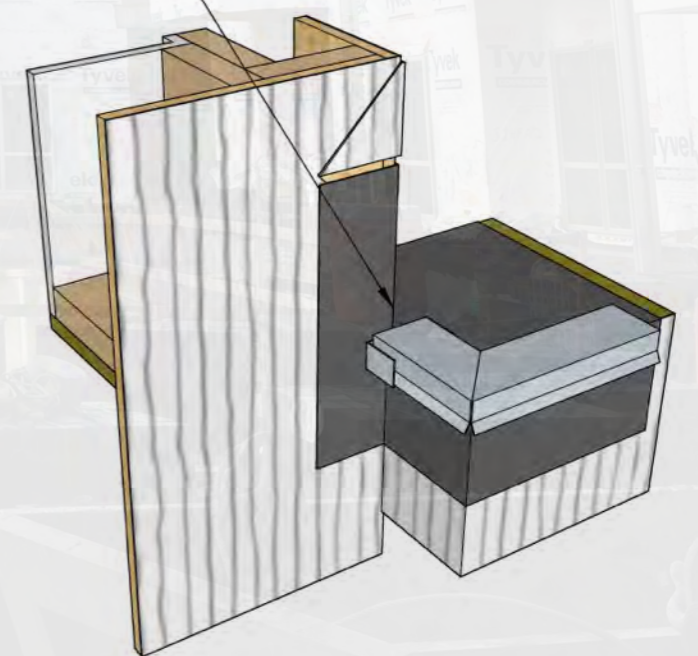


Step 6

metal edge angle spaced out over the face of the trim or cladding below. End of metal edge flashing fits into the diverter gutter



Step 6 (reverse view)



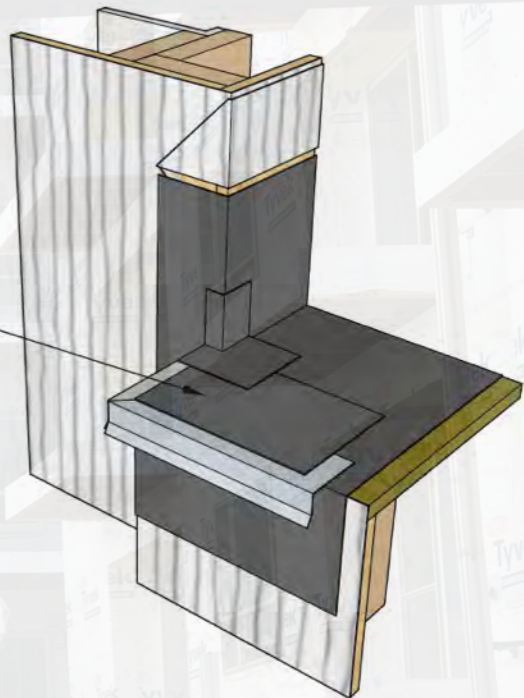
Drained / Protected

proud



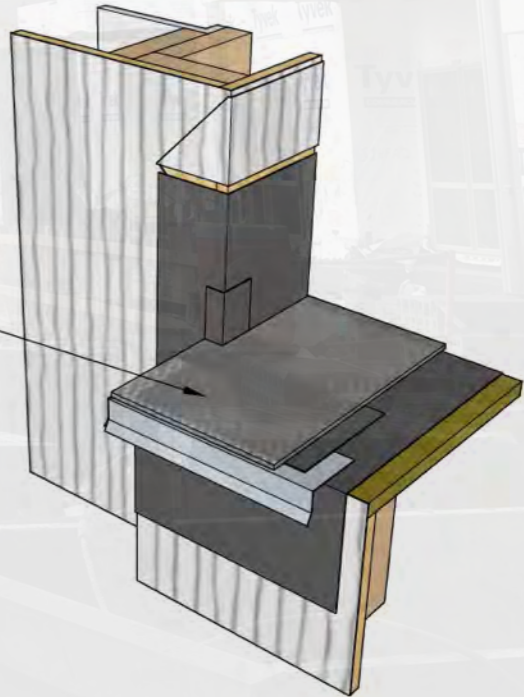
Step 7

strip in the metal edge flashing with a strip of compatible self adhered membrane flashing



Step 8

drainage mat (compatible with deck waterproof membrane)



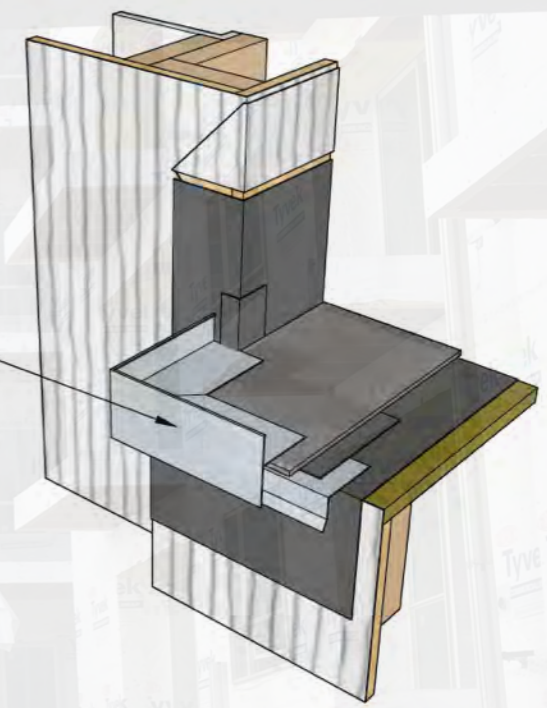
Drained / Protected

proud



Step 9

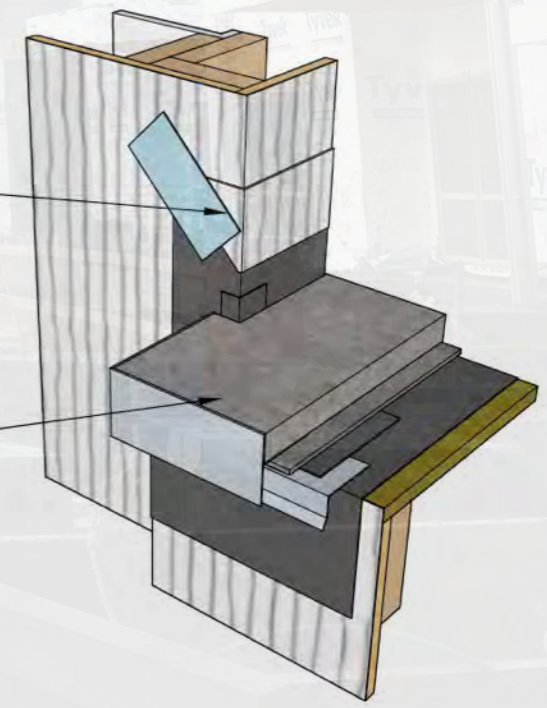
metal T-bar concrete stop
installed over drainage mat.
Shim as required at attachment
locations



Step 10

fold sheet WRB down over
upper edge of deck waterproof
membrane. Tape all cuts with
compatible construction tape

concrete topping slab



WEATHER

SEE ESR-3401. IT IS THE BUYER'S
CODES AND REGULATIONS. REFER
SOLO BY: THE DOWN CHEMICAL CORP.
(DOWN) or an authorized company of Down.











Expect more.
tyvek
tyvek.com

Expect more.
tyvek
tyvek.com

Expect more.
tyvek
tyvek.com

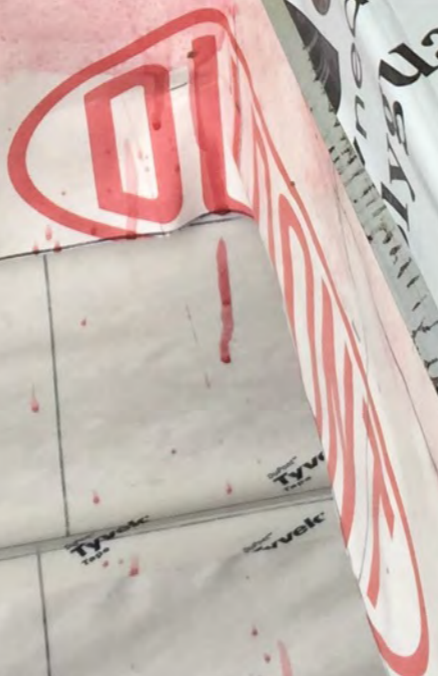
Expect more.
tyvek
tyvek.com

Expect more.
tyvek
tyvek.com

Tyvek
Tape

07/16
- LISTED
1-181A

CAUSES EYE
HARMING! AVOID CONTACT WITH EYES





ACE VYCOR®

E VYCOR® PL

ACE VYCOR®

IGSI

Sheathing

EYE IRRITATION. OBSERVE GOOD INDUSTRIAL HANDLING. DO NOT EAT, DRINK OR SMOKE WHEN USING. IF IN EYES, RINSE WITH WATER. IF IRRITATION PERSISTS, GET MEDICAL ADVICE. FOR MORE INFORMATION GO TO WWW.BUILDINGSCIENCE.COM

POLYGUARD
© owned. Expect more.
www.polyguard.com

POLYGUARD
© owned. Expect more.
www.polyguard.com

POLYGUARD
© owned. Expect more.
www.polyguard.com

POLYGUARD
© owned. Expect more.
www.polyguard.com



ard
t more.

uard
owned. Expect m
uard.com

ard
more.

uard
yee owned. Expect more.
www.polyguard.com

uard.com
Expect more.

ard.com
Expect more.

uard
yee owned. Expect more.
www.polyguard.com

uard
yee owned. Expect more.
www.polyguard.com

ard
more.



Buildings are complicated.



Christy Cronin, christy@buildingscience.com
www.buildingscience.com

