

Joseph Lstiburek, Ph.D., P.Eng, ASHRAE Fellow

# Building Science

---

## Towering Inferno

[www.buildingscience.com](http://www.buildingscience.com)

Grenfell Tower

North Kensington, United Kingdom

June, 2017

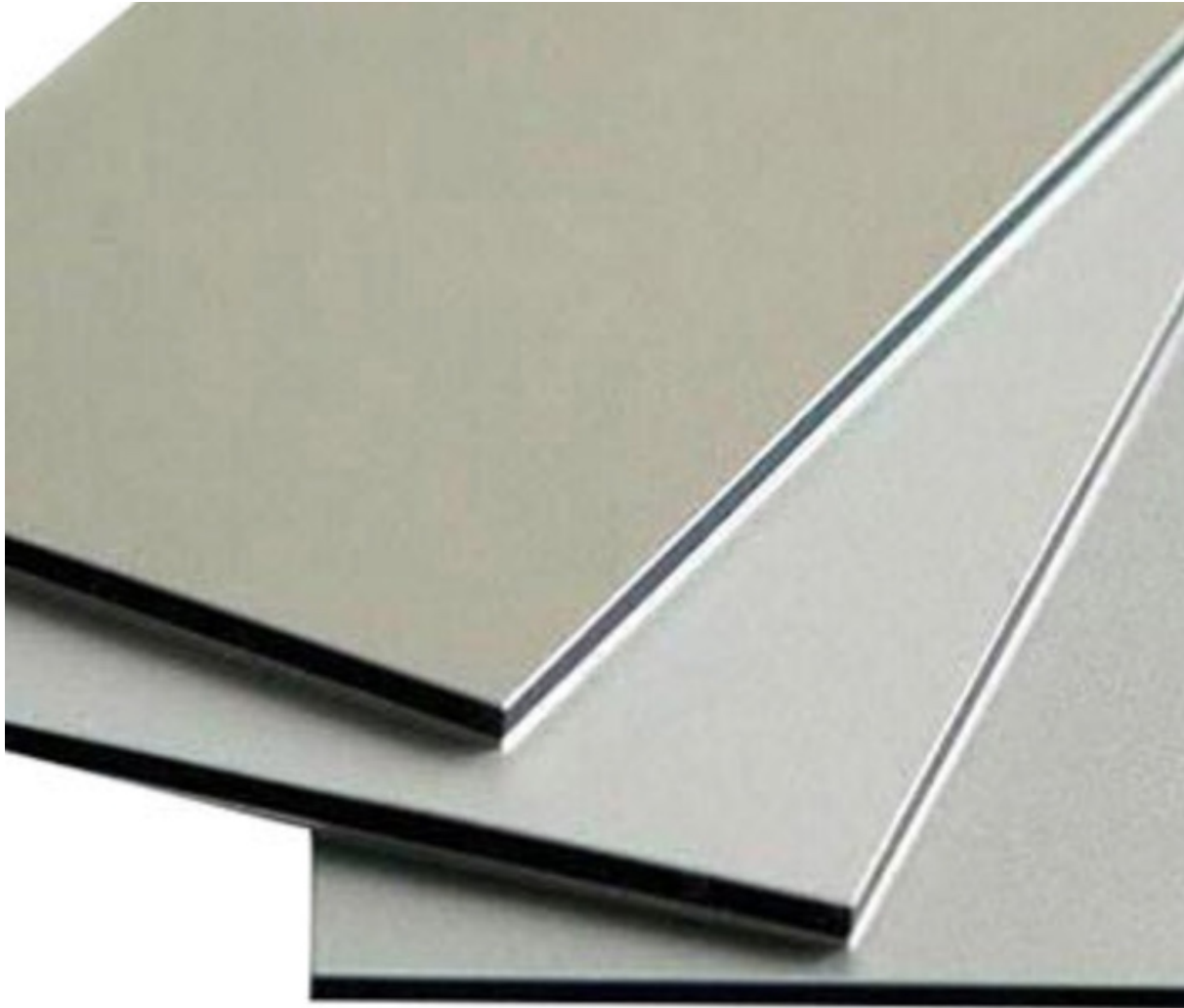




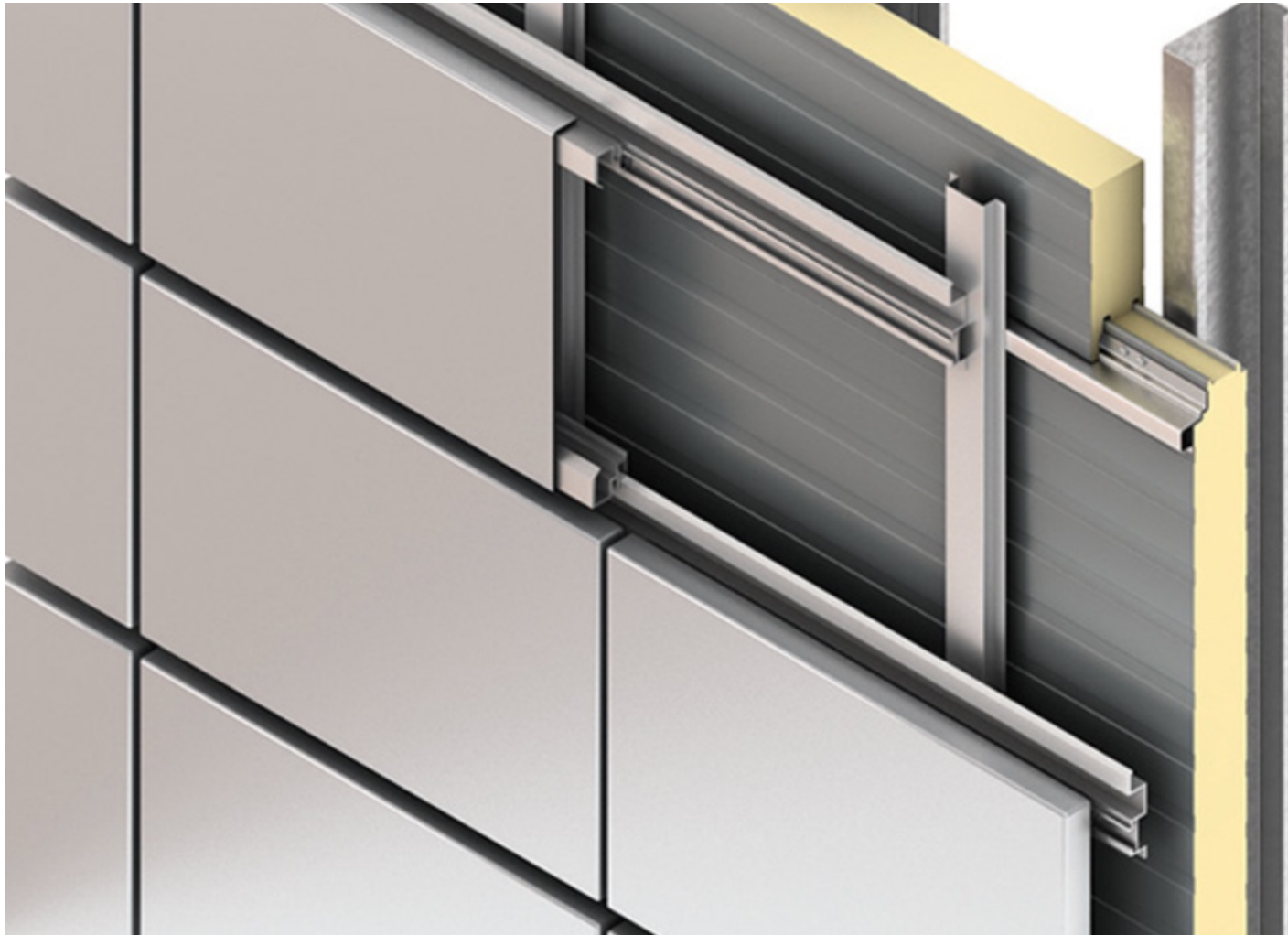


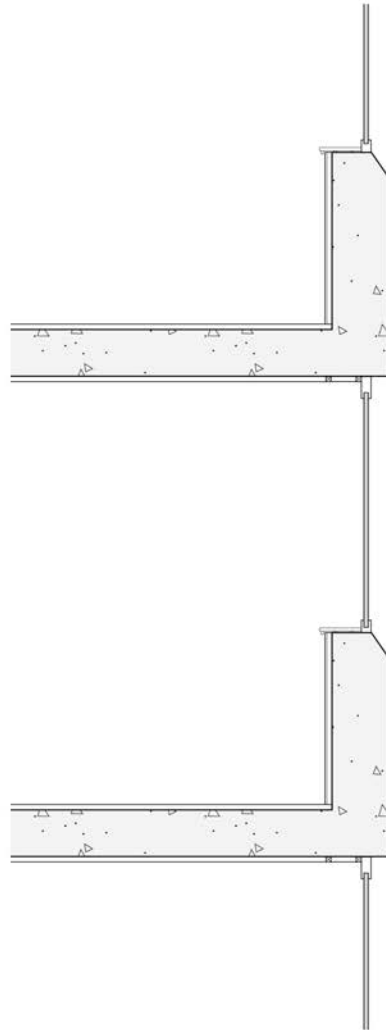


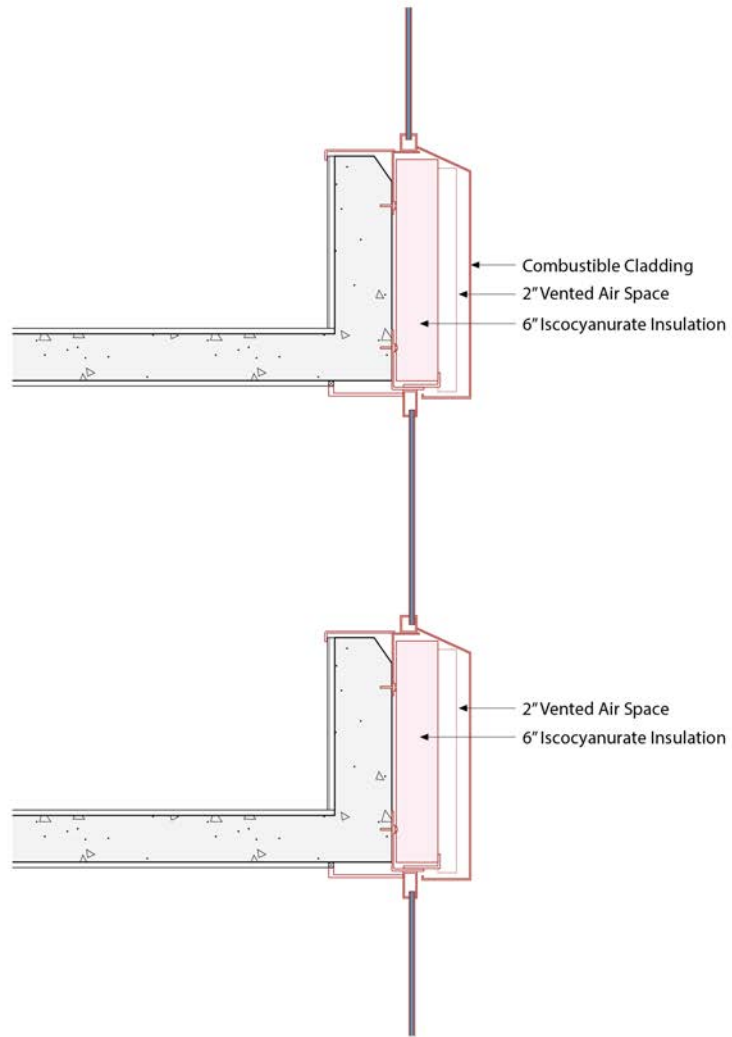


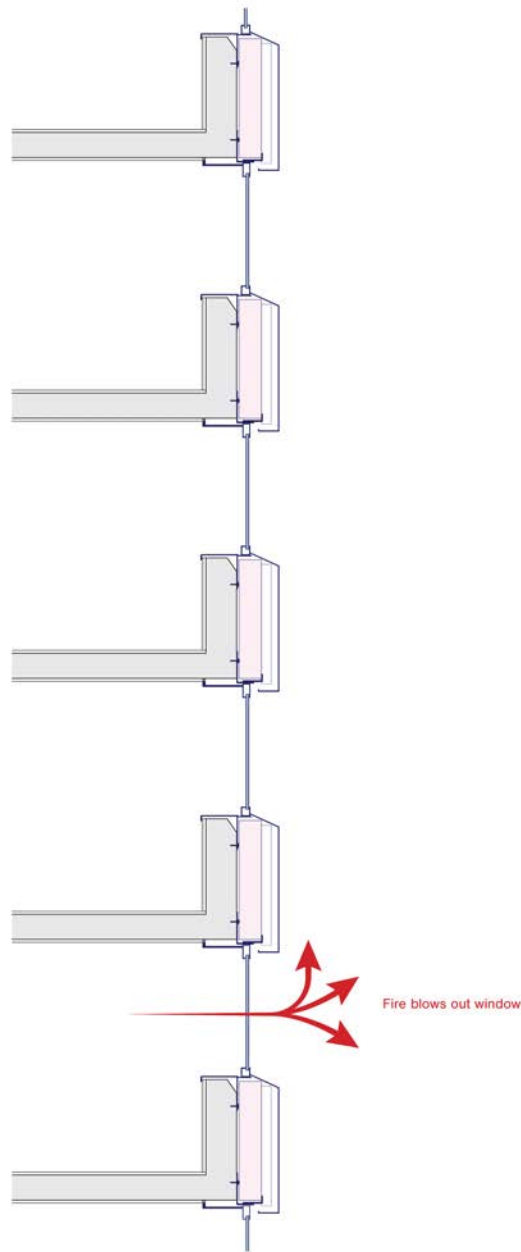


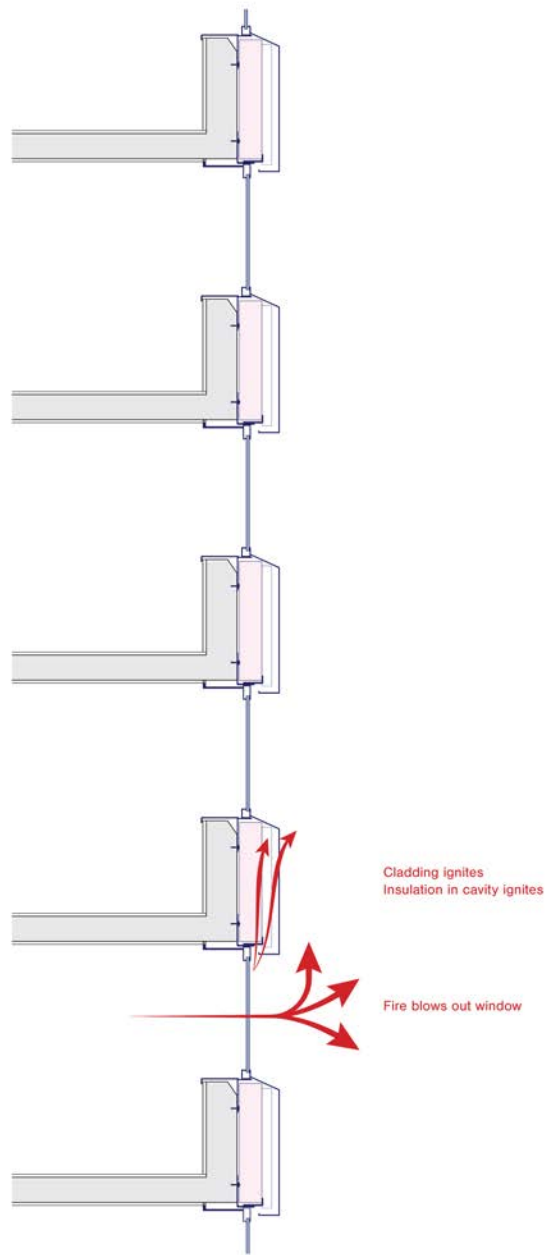


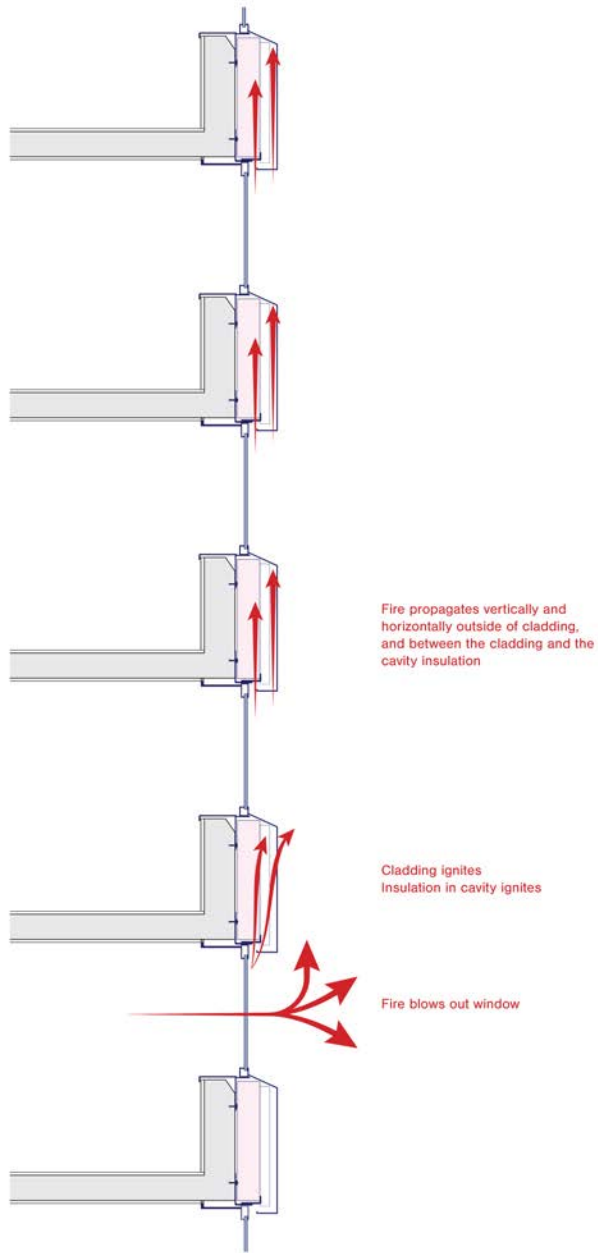


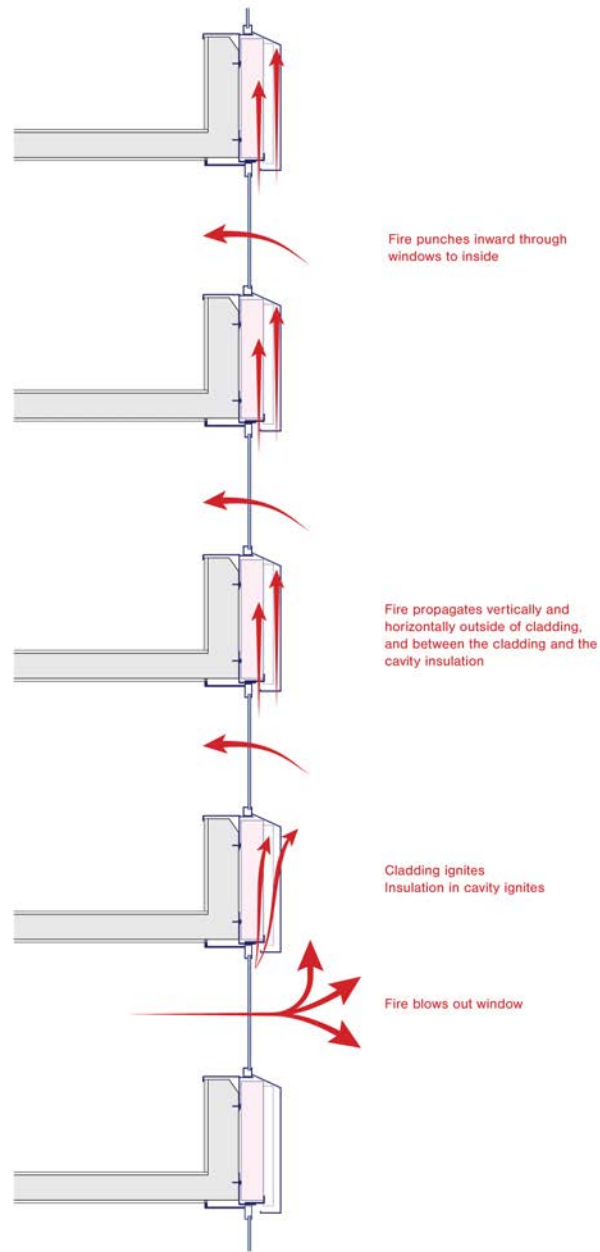












Dubai Address Hotel  
Dubai, United Arab Emirates  
January, 2015







Mermoz Roubaix, France  
May 2012



Tamweel Tower

Dubai, United Arab Emirates

November, 2012





Al Nahda Tower  
Sharjah, United Arab Emirates  
April, 2012





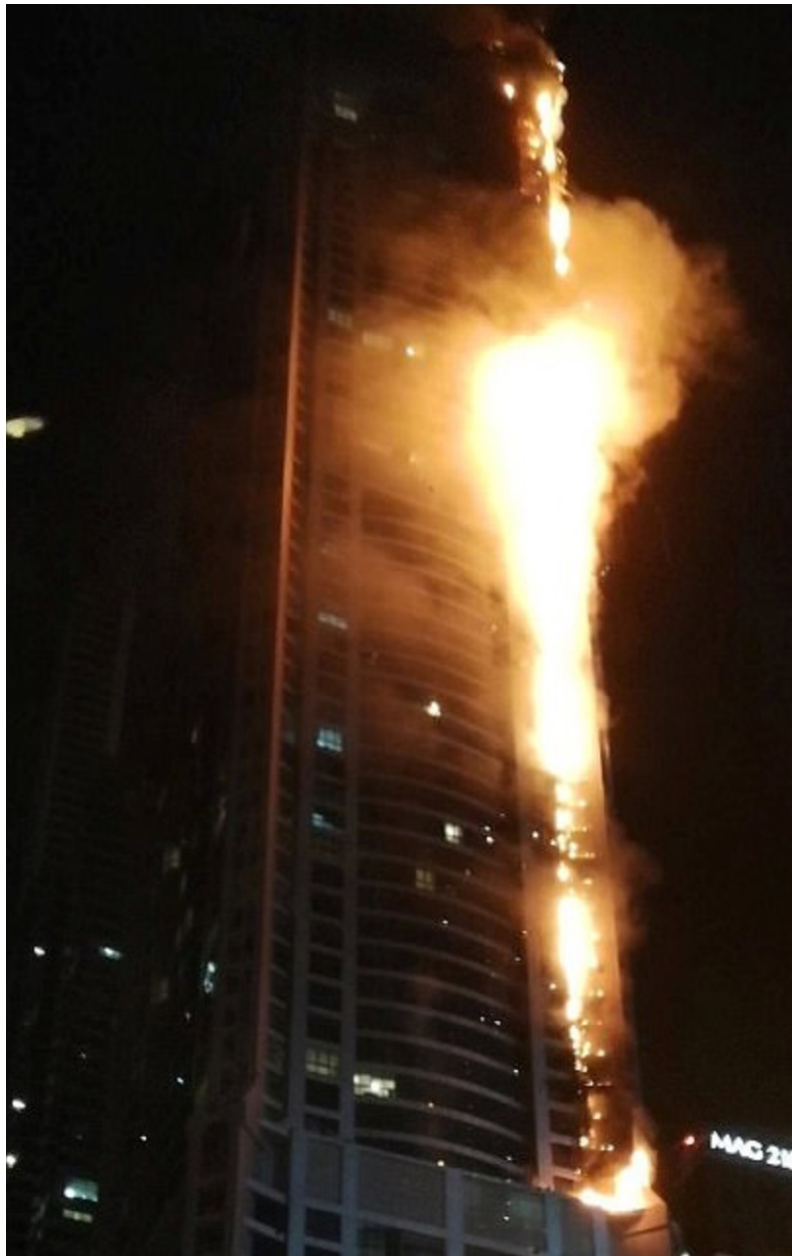


Polat Tower  
Istanbul, Turkey  
July, 2012





Dubai Torch Tower  
Dubai, United Arab Emirates  
August, 2017







Thorn House Hotel  
Rostov-on-Don, Grozny, Chechnya  
September, 2017





Marco Polo Apartments  
Honolulu, Hawaii  
July, 2017







# Cladding Attachment





# Hooker Chemical Building Niagara Falls, New York





John E. Jaqua Academic Center  
University of Oregon,  
Eugene, Oregon



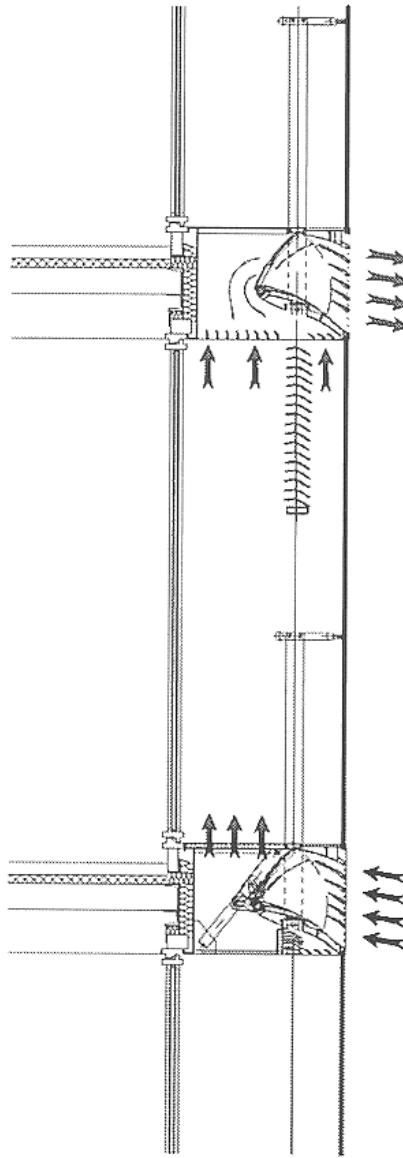


# Stattdor Building Dusseldorf, Germany









# Where I Grew Up







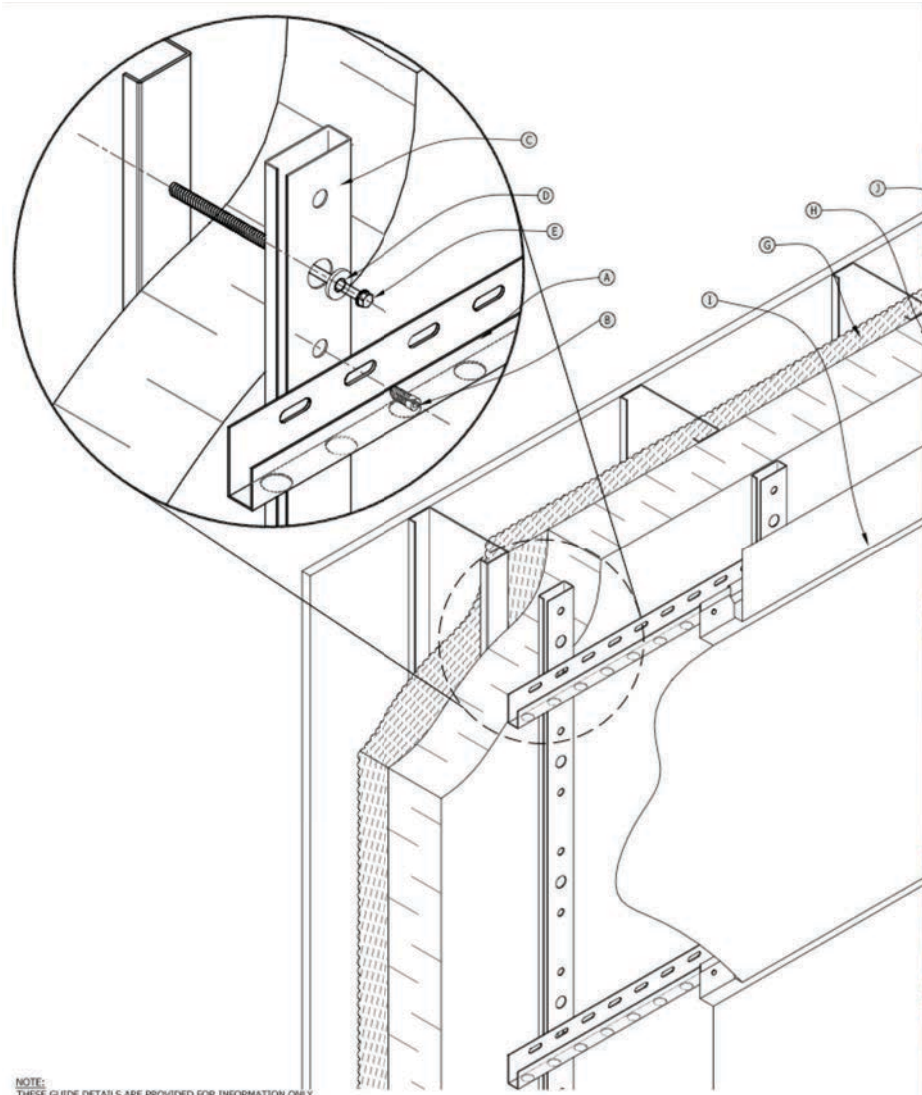








# Cladding Attachment



NOTE: THIS IS NOT A FINAL COPY AND IS PROVIDED FOR INFORMATION ONLY

